

Cibēs

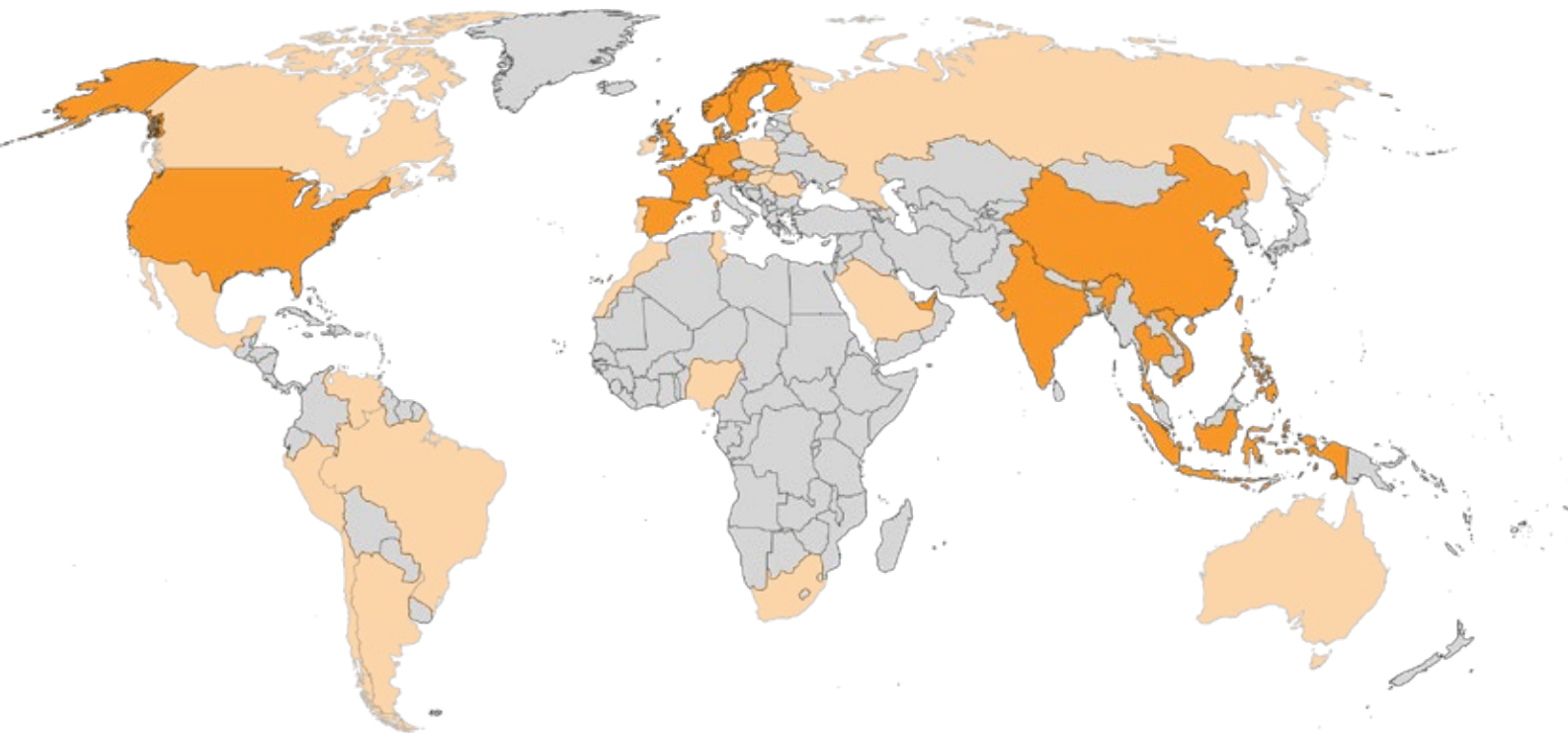
New Generation Home Elevator
VOYAGER V90

CIBES - SINCE 1947

Cibes Lift Group is one of the world's largest manufacturers of low-speed lifts, with sales and distribution in more than 70 countries, and a network of 200+ certified distributors.

WHAT MAKES CIBES SPECIAL?

DIRECT SALES ACROSS THE WORLD



FACTORY DIRECT SUBSIDIARIES IN:

SWEDEN | NORWAY | FINLAND | FRANCE | UNITED KINGDOM | GERMANY |
HOLLAND | SPAIN | AUSTRIA | BELGIUM | DUBAI | CHINA | VIETNAM |
THAILAND | INDONESIA | PHILIPPINES | INDIA | USA

CIBES DIRECT OWNED FACTORIES:

Gävle, SE & Jiaxing, CN

APPROVED DEALERS IN:

70+ countries

WORDS FROM OUR CEO, **PER LIDSTRÖM**



One does not build a company that lasts over 70 years without an unwavering commitment to customer satisfaction. Cibes fully embraces the Scandinavian ethos of reliability, which is why we are uncompromising when it comes to the quality of our products, the elegance of our designs and our commitment to safety. From the start, our best marketing has always been our existing customers, and the 70,000 lifts we have installed around the world continue to be a driver of our success. At Cibes, we know that our happy customers are the key to our longevity, and we look forward to having you join the Cibes family!

Per Lidström

CEO, CIBES LIFT GROUP

ABOUT

CIBES LIFT GROUP IN 2021 E

190

MILLION EUROS

In turnover in 2021 estimated

1,060

EMPLOYEES

Across the world

70,000+

LIFTS INSTALLED

In 70+ countries

HOME LIFTS DESIGNED FOR **VILLAS & PENTHOUSES**



SCREW - DRIVEN **HOME LIFTS**

Screw-driven cabin lifts are powered by the rotation of a nut on a screw, and come with their own shaft. Thanks to their driving principle and design, screw-driven cabin lifts do not require a pit, machine room or shaft. These features make them ideally suited for the home.



- › Ready-made panoramic shaft
- › No Pit required or 10cm
- › No machine room and low headroom
- › No leaky hydraulic oils
- › Glass on all sides for a 360 panoramic view
- › Super space-saving solution
- › Single or Three Phase
- › A-rated energy consumption
- › Easy and low-cost maintenance
- › Hight customization to fit your house



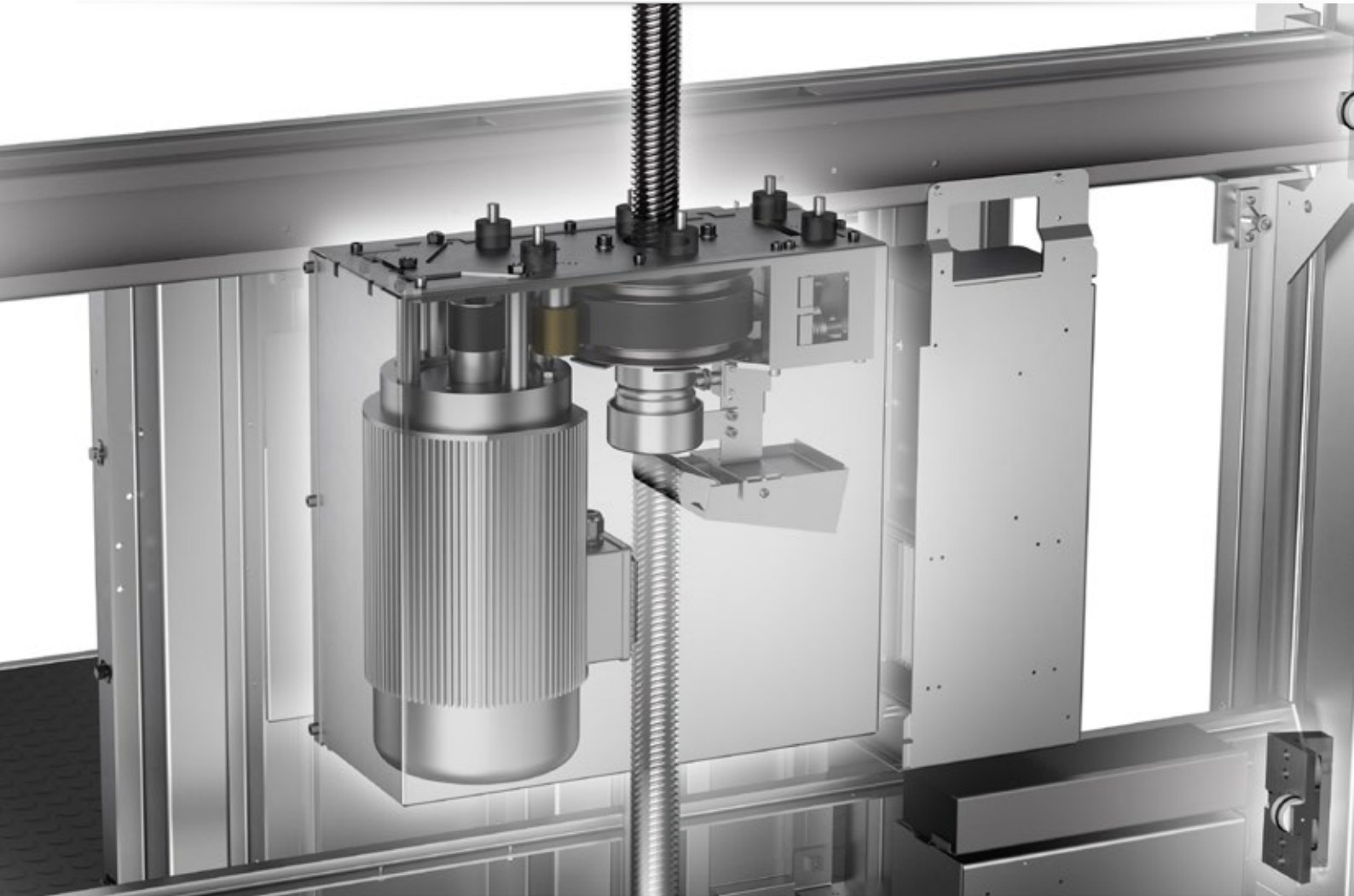
SMART LIFTS FOR SMART HOMES

Every Cibes Lift comes equipped with Cibes' cutting-edge Infinity Control System (ICon) which allows every lift to be packed with features and safety options including:

- › Connected IoT 24/7 monitored lift by our Cibes Control Center
- › Smart Touch Control Panel and Call Buttons
- › Increased Safety (SIL-3 certification)
- › In-built lock, music and connectivity functions
- › Warning systems e.g. low battery
- › Fault and breakage record for easier fixing and maintenance

SAFETY IS IN OUR DNA

SWEDISH FOCUS ON QUALITY



SCREW DRIVE TECHNOLOGY:

LIFTS THAT CANNOT “FALL DOWN”

Screw-drive technology is unique in the market in that the lifting cabin or platform is always attached to a toughened steel screw. The movement behind the “lifting” is not a pulling motion through cable or belt, but a rotation of a nut around the screw.

This revolutionary system ensures that Cibes Lift screw drives are able to meet not only the extremely high European Safety Standards but also those of our other markets around the world.



STANDARDS

All our lifts not only follow the strictest of European and international standards, but we even strive to respect recommended local standards as well in each of our markets.



SAFETY CERTIFICATIONS

Beyond certifying every lift with the European Lift Instituut, all our lifts are also Safety Integrity Level 3 certified and our production ISO.



LIGHT CURTAIN FOR LASER-FAST SAFETY

The combination of the Cibes light curtain, which allows to stop near instantaneously in emergency situations, and the cabin design of our V90 allows us to reach a new level of safety.



2N PHONE SYSTEM CONNECTIVITY MONITORING

Our special 2N dialer, conform with the EN 81-28, EN 81-70, EN 81-20:50 etc. European regulations, automatically checks that your phone line is active every 3 days to ensure your safety phone is ready – should you need it!



NATIONWIDE, 24/7 COVERAGE

We may be a global company, but we are hyperlocal for our customers. Our hotline is 24/7, with technicians spread across the country to ensure we are there anytime, anywhere.



ANTI-TRAP SYSTEM FOR EMERGENCIES

All our lifts are equipped not only with a emergency battery lowering system in case of power failures, but an additional mechanical lowering system safeguard in the pit.

HOME CABIN LIFT AS SMALL AS 0.9 M²

Our innovative technology allows our lifts to fit in narrow spaces as small as 900 x 1000 mm. Moreover, every single one of our 40+ sizes seeks to maximize our standing space to lift size ratio to avoid wasting space and provide you with as much room as possible. Our innovative design allows for up to 81.7% (!) space utilization based on cabin vs. finished shaft size.





SUSTAINABLE

All Voyager lifts operate on Cibes' new and revolutionary EcoSilent 2.0, that reduce the need for maintenance and lubrication even further while consuming very little electricity. Sustainability is a cornerstone of Cibes' philosophy and helps explain why we have lasted for over 70 years. Not only are our lifts specially designed to be easily upgradeable and therefore increase their service life, but our direct-from-factory credo means that our business is tailored toward consistency of service over the long term. 25 years from now, when you need a spare part, Cibes Lift will still be here for you! Beyond immediate advantages to the consumer, Cibes also looks for advantages to the planet: which is why all our Voyager lifts are highly recyclable.

THREE LEVELS OF CUSTOMIZATION

AURORA

Aurora is our best-selling tier with the ideal mix of luxury and customization to match your home design.

- › 5 Texture Walls to choose from to match interior.
- › High-end touchscreen with full option package including music.
- › Glass Max Swing Doors.
- › GLASS MAX shaft with 360° glass.
- › Available in 6 premium Colors to fit the different texture walls

GALAXY

Galaxy is our top design tier, with incredible features such as:

- › Bespoke mood wall panel with LiT Lighting System.
- › High-end touchscreen with full option package including music.
- › Automatic Saloon Doors for luxury feel openings.
- › 3 types of FORBO Premium Carpets to choose from.
- › GLASS MAX shaft with 360° glass.

ELEGANCE

Elegance is our entry-level tier, for those who want a simple and elegant design without compromising on safety and quality

- › Intuitive Touchscreen control.
- › Glass Max Swing Doors.
- › GLASS MAX shaft with 360° glass.
- › All Safety Features of V90 Series.
- › Available only in White.

P R E M I U M

L U X U R Y

C L A S S I C



V90 AURORA
Enhance Your Home



V90 GALAXY+
Luxury in Every Home



V90 ELEGANCE
Simple and elegant



FLEXIBLE CUSTOMIZATION

*Offers you the freedom to design the
lift of your dreams*

All of our beautiful patterns were specially designed for the Voyager series. To complement these unique designs, our custom lighting technology gives you an endless array of colors and turns your cabin wall into a work of art.

Your lift can be easily customized with various fittings, finishing and color options to match any environment, create a truly unique expression, or focus on just one color to achieve a unified look.

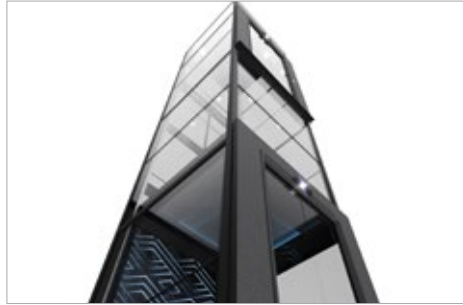


W90

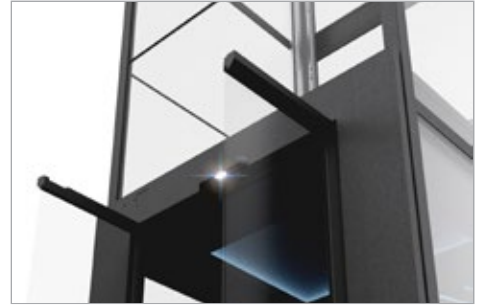
GALAXY



V90 GALAXY/GALAXY+



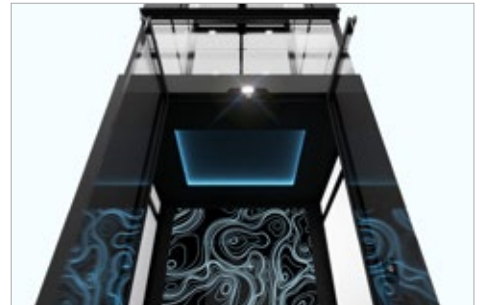
GLASS MAX 360° SHAFT



GALAXY+ SALOON DOORS



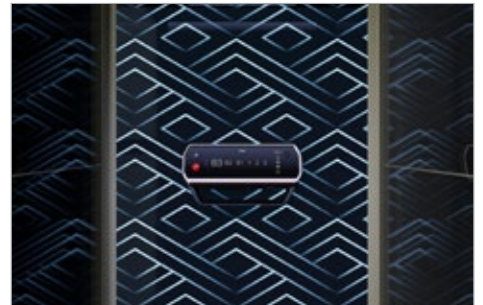
LIT CEILING



SAFETY LIGHT



PREMIUM STONE FINISH FLOORING



LIT MOOD WALL WITH INFINITY COLOR AND LIGHT SCHEMES

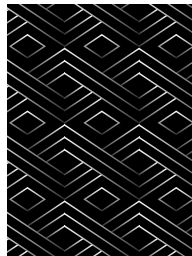
MOOD WALL DESIGNS



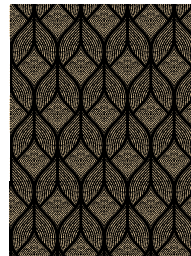
FOREST PINES



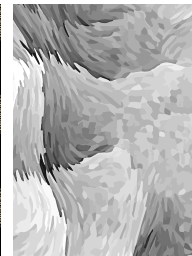
NEBULA



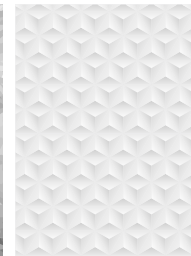
NEON JAZZ



BASILICA LIGHTS



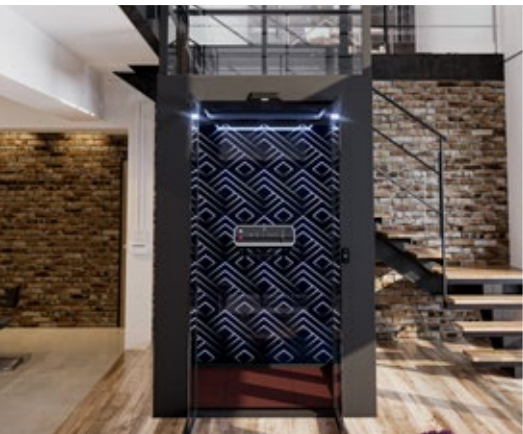
ARCTIC ICE



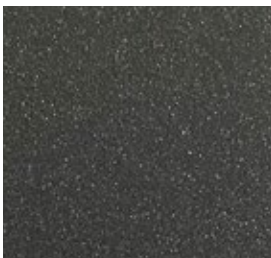
ORIGAMI



AWAKENING



PREMIUM POWDER COATS



JANUARY 4



QUARTZ 1



QUARTZ 2



FEBRUARY 5

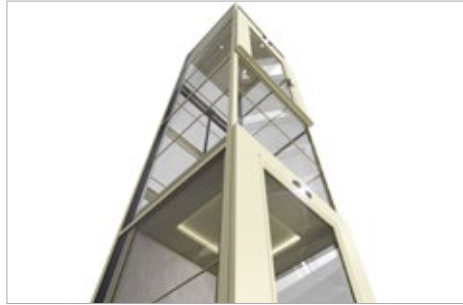


FEBRUARY 6





V90 AURORA/ AURORA+



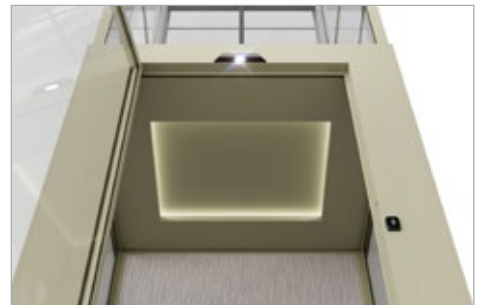
GLASS MAX 360° SHAFT



GLASS MAX SWING DOOR



RECESSED CEILING



SAFETY LIGHT



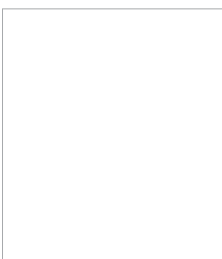
SMART COP



PREMIUM TEXTURE WALLS

*Aurora + is upgrade with auto saloon door

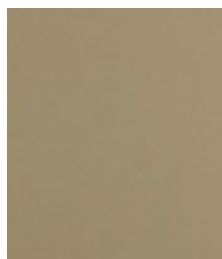
PREMIUM POWDER COATS



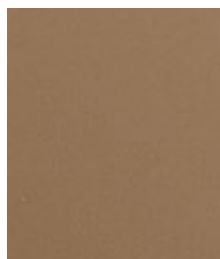
ORGANIC SIGNAL WHITE



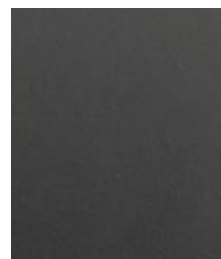
ORIENTAL OYSTER WHITE



ORIENTAL GREY BEIGE



ORIENTAL PALE BROWN



GOTHIC GRAPHITE BLACK



GLACIAL SLATE GREY



LUXURY FLOORING

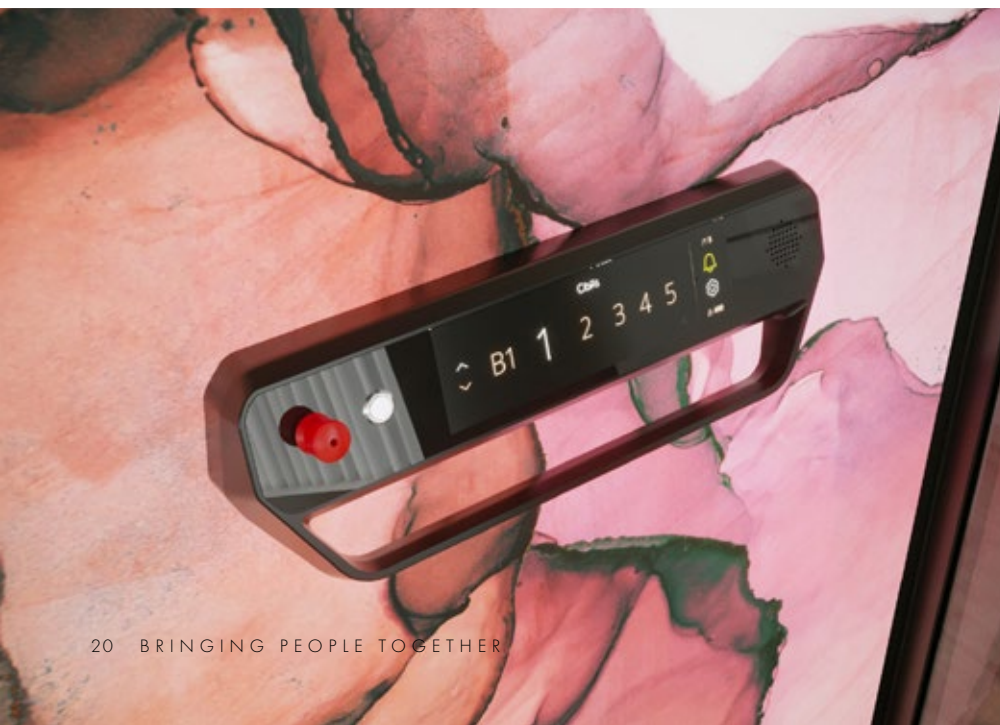
Premium stone finish flooring



E3725

E3747

E3746



CABIN WALL DESIGNS

VOYAGER V90 AURORA Series is V90 best-selling tier with the ideal mix of fashion and customization to match your home design. With 5 Texture Walls as standard option and 12 fashion patterns to choose from to match interior and 3 premium stone finish flooring, standard with glass max swing door. It can be upgrade to Aurora + with the beautiful Saloon door

STANDARD PATTERNS

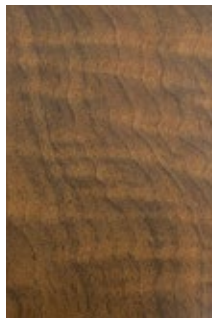


TRAVERTINE SILVER

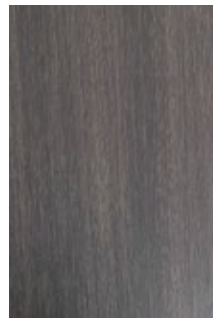


JET SEQUOIA

Not Available for V70
V90 D side of 1400 1500mm



BLACK WALNUT



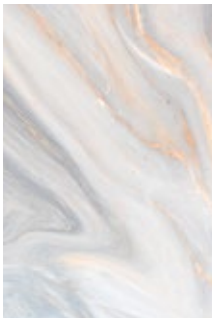
BLACKEN LEGNO
PARTIAL CROWN



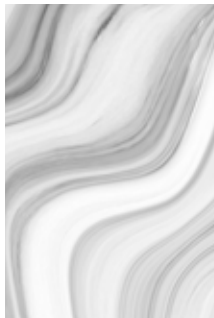
SMOKE STRAND
STRAIGHT



CUSTOMIZED PATTERNS



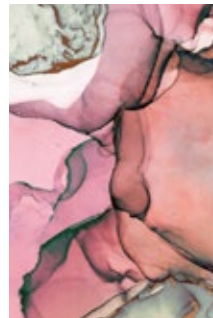
NOVA CLOUDS



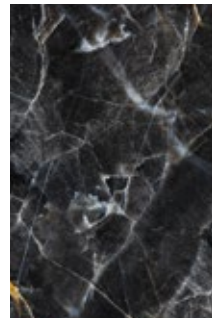
EVENING AGATE



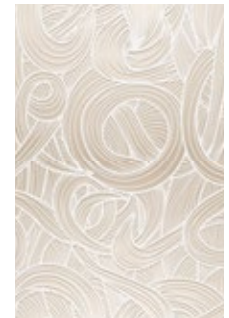
COBALT BLUE



CINNABAR ROSE



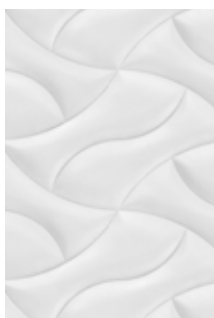
IMPERIAL BLACK



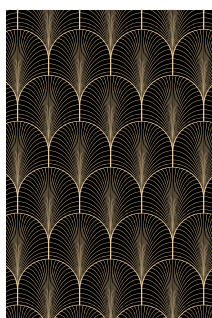
IONA



EULER



INCA



PHARAOH



PAVONA
FEATHERS



DRAGON SEA



LONG SPRING



V990

ELEGANCE



V90 ELEGANCE/ELEGANCE+



GLASS MAX 360° SHAFT



GLASS MAX SWING DOOR



MIRROR CEILING



LOP

BEAUTIFUL GLOBAL DESIGN

WITH EASE OF LOCAL CUSTOMIZATION



GREY IRON FLOORING



CABIN WALL COLOR - 9016-30G

*Aurora + is upgrade with auto saloon door



VOYAGER V90 MODELS COMPARED



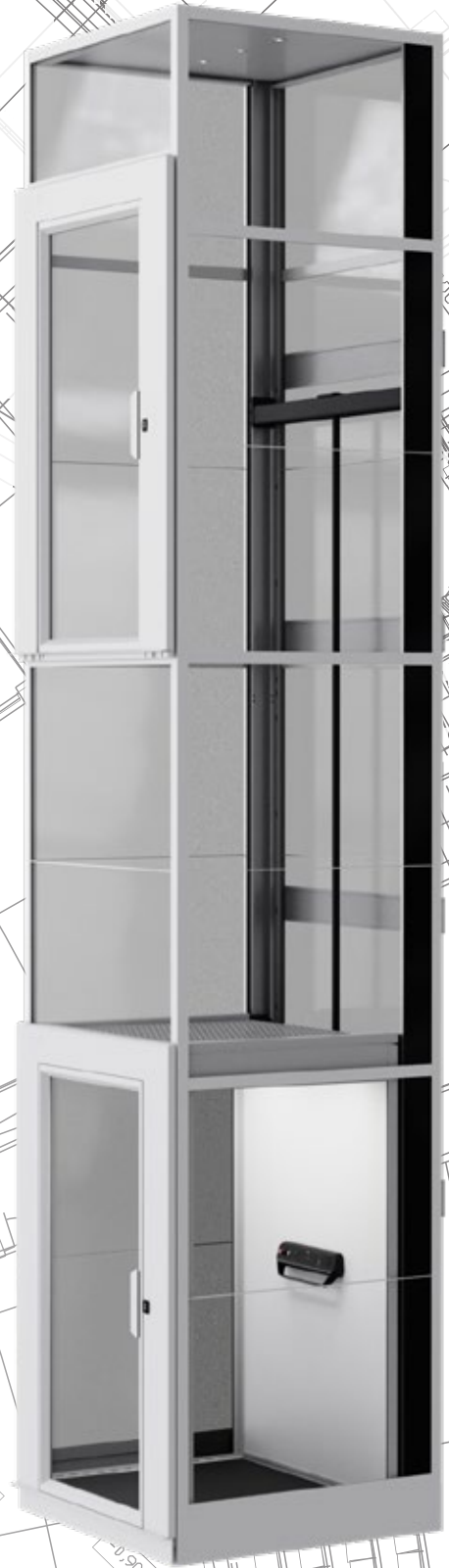
CABIN	ELEGANCE	AURORA	GALAXY
Cabin	✓	✓	✓
Smart COP	✓	✓	
Smart+ COP			✓
Normal Ceiling	✓		
LiT Ceiling		✓	
RGBW LiT Ceiling			✓
HPL Panel	White	✓	
Acrylic Light Up Design Panel (White)	OPTION	✓	
Acrylic Light Up Design Panel (RGBW)			✓
Built-in Fan	OPTION	OPTION	✓
COP FUNCTION			
Fan control	OPTION	OPTION	✓
Light control			✓
Music	OPTION	OPTION	✓
Child lock	✓	✓	✓
DOOR			
Swing door	✓	✓	✓
Saloon door	Elegance +	Aurora +	Galaxy +
Wooden embed handrail		✓	✓
Touchscreen Call Button	✓	✓	
Touchscreen Call Button with level indicator			✓
OTHER			
Safety light curtain	✓	✓	✓
Optional Other Locks	✓	✓	✓
Premium Color	R9016	ALESTA FINE TEXTURES (6 Colors)	ALESTA MINERAL SERIES (5 Colors)
Forbo floor	PURE GREY	MARBLE TEXTURE	MARBLE TEXTURE

VOYAGER SIZES

	CABIN SIZE (IN MM)		SHAFT SIZE (IN MM)		CUT OUT SIZE (IN MM) (add +30mm if door on that side)	
	A/C Cabin	B/D Side	A/C Side	B/D Side	A/C Side	B/D Side
	1	710	815	1000	900	1040
2	810	815	1100	900	1140	940
3	910	815	1200	900	1240	940
4	1010	815	1300	900	1340	940
5	1110	815	1400	900	1440	940
6	1210	815	1500	900	1540	940
7	710	915	1000	1000	1040	1040
8	810	915	1100	1000	1140	1040
9	910	915	1200	1000	1240	1040
10	1010	915	1300	1000	1340	1040
11	1110	915	1400	1000	1440	1040
12	1210	915	1500	1000	1540	1040
13	710	1015	1000	1100	1040	1140
14	810	1015	1100	1100	1140	1140
15	910	1015	1200	1100	1240	1140
16	1010	1015	1300	1100	1340	1140
17	1110	1015	1400	1100	1440	1140
18	1210	1015	1500	1100	1540	1140
19	710	1115	1000	1200	1040	1240
20	810	1115	1100	1200	1140	1240
21	910	1115	1200	1200	1240	1240
22	1010	1115	1300	1200	1340	1240
23	1110	1115	1400	1200	1440	1240
24	1210	1115	1500	1200	1540	1240
25	710	1215	1000	1300	1040	1340
26	810	1215	1100	1300	1140	1340
27	910	1215	1200	1300	1240	1340
28	1010	1215	1300	1300	1340	1340
29	1110	1215	1400	1300	1440	1340
30	1210	1215	1500	1300	1540	1340
31	710	1315	1000	1400	1040	1440
32	810	1315	1100	1400	1140	1440
33	910	1315	1200	1400	1240	1440
34	1010	1315	1300	1400	1340	1440
35	1110	1315	1400	1400	1440	1440
36	1210	1315	1500	1400	1540	1440
37	710	1415	1000	1500	1040	1540
38	810	1415	1100	1500	1140	1540
39	910	1415	1200	1500	1240	1540
40	1010	1415	1300	1500	1340	1540
41	1110	1415	1400	1500	1440	1540

Technical Specifications

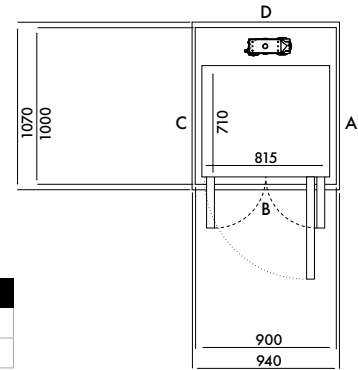
Voyager V90





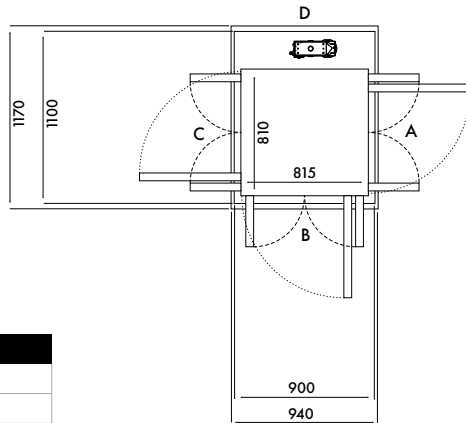
*The illustration of each size below is basing on door opens on Side B for your reference.

*Cut Out Size for Side A/C refer to door opens on Side A or Side C. If door opens on both sides, add +30mm on that side.



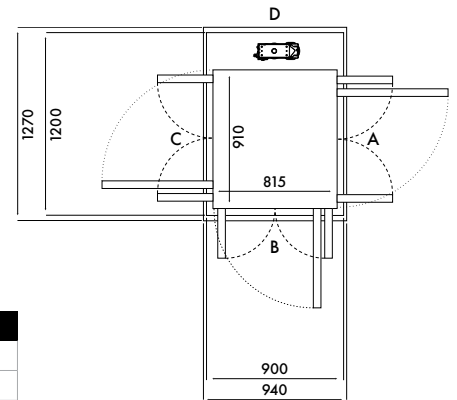
Size 01 (mm)	
Cabin Size	710 x 815
Finished Size	1000 x 900

Door Opening	Cut Out Size		Door Opening Width	
	Side A/C	Side B/D	Swing Door	Saloon Door
Side B	1070	940	654	616
Side A/C	N/A	N/A	N/A	N/A



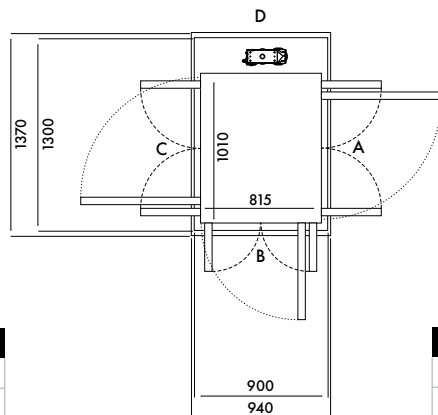
Size 02 (mm)	
Cabin Size	810 x 815
Finished Size	1100 x 900

Door Opening	Cut Out Size		Door Opening Width	
	Side A/C	Side B/D	Swing Door	Saloon Door
Side B	1170	940	654	616
Side A/C	1140	970	654	616



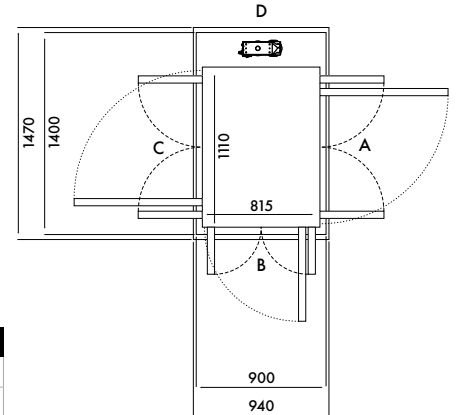
Size 03 (mm)	
Cabin Size	910 x 815
Finished Size	1200 x 900

Door Opening	Cut Out Size		Door Opening Width	
	Side A/C	Side B/D	Swing Door	Saloon Door
Side B	1270	940	654	616
Side A/C	1240	970	754	716



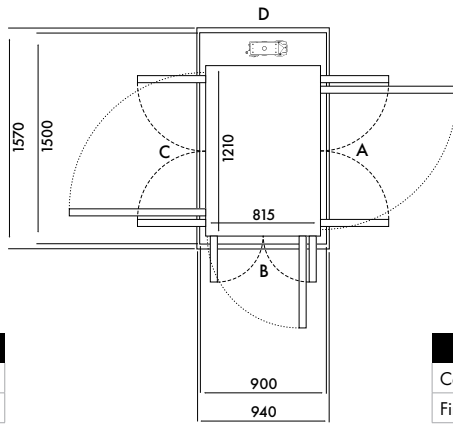
Size 04 (mm)	
Cabin Size	1010 x 815
Finished Size	1300 x 900

Door Opening	Cut Out Size		Door Opening Width	
	Side A/C	Side B/D	Swing Door	Saloon Door
Side B	1370	940	654	616
Side A/C	1340	970	854	816



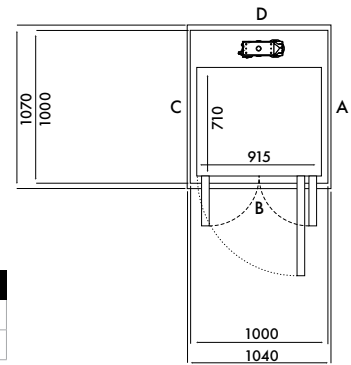
Size 05 (mm)	
Cabin Size	1110 x 815
Finished Size	1400 x 900

Door Opening	Cut Out Size		Door Opening Width	
	Side A/C	Side B/D	Swing Door	Saloon Door
Side B	1470	940	654	616
Side A/C	1440	970	954	916



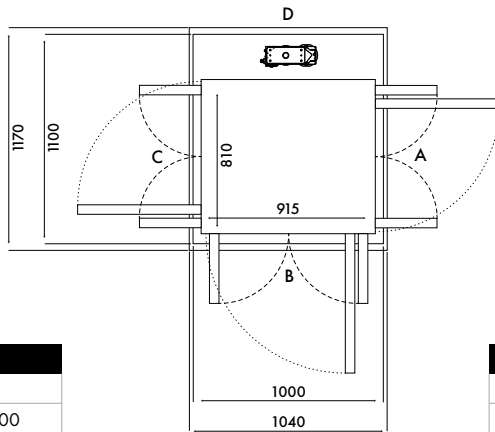
Size 06 (mm)	
Cabin Size	1210 x 815
Finished Size	1500 x 900

Door Opening	Cut Out Size		Door Opening Width	
	Side A/C	Side B/D	Swing Door	Saloon Door
Side B	1570	940	654	616
Side A/C	1540	970	1054	1016



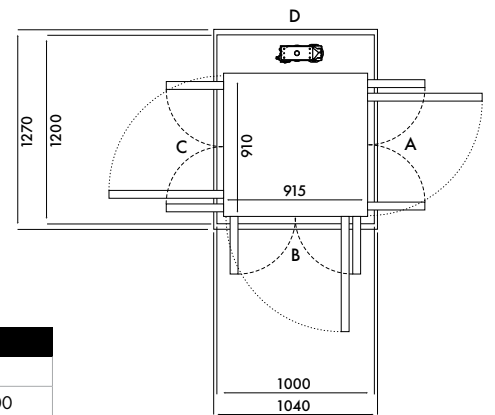
Size 07 (mm)	
Cabin Size	710 x 915
Finished Size	1000 x 1040

Door Opening	Cut Out Size		Door Opening Width	
	Side A/C	Side B/D	Swing Door	Saloon Door
Side B	1070	1040	754	716
Side A/C	N/A	N/A	N/A	N/A



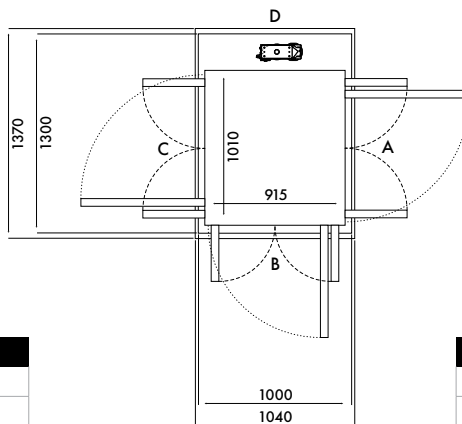
Size 08 (mm)	
Cabin Size	810 x 915
Finished Size	1100 x 1040

Door Opening	Cut Out Size		Door Opening Width	
	Side A/C	Side B/D	Swing Door	Saloon Door
Side B	1170	1040	754	716
Side A/C	1140	1070	654	616



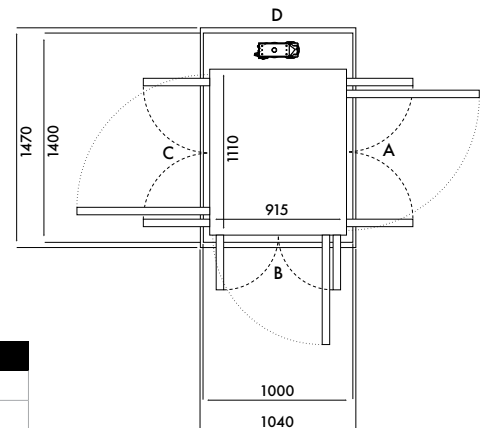
Size 09 (mm)	
Cabin Size	910 x 915
Finished Size	1200 x 1040

Door Opening	Cut Out Size		Door Opening Width	
	Side A/C	Side B/D	Swing Door	Saloon Door
Side B	1270	1040	754	716
Side A/C	1240	1070	754	716



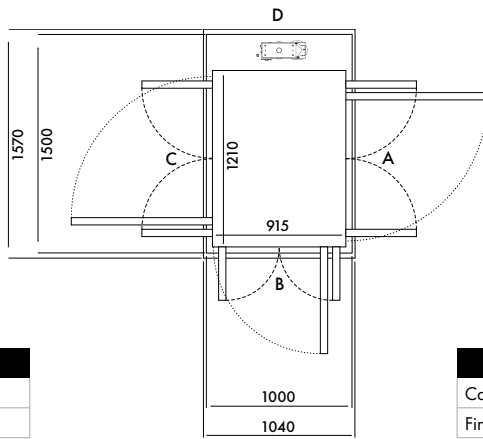
Size 10 (mm)	
Cabin Size	1010 x 915
Finished Size	1300 x 1040

Door Opening	Cut Out Size		Door Opening Width	
	Side A/C	Side B/D	Swing Door	Saloon Door
Side B	1370	1040	754	716
Side A/C	1340	1070	854	816



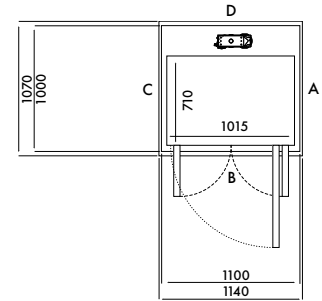
Size 11 (mm)	
Cabin Size	1110 x 915
Finished Size	1400 x 1040

Door Opening	Cut Out Size		Door Opening Width	
	Side A/C	Side B/D	Swing Door	Saloon Door
Side B	1470	1040	754	716
Side A/C	1440	1070	954	916



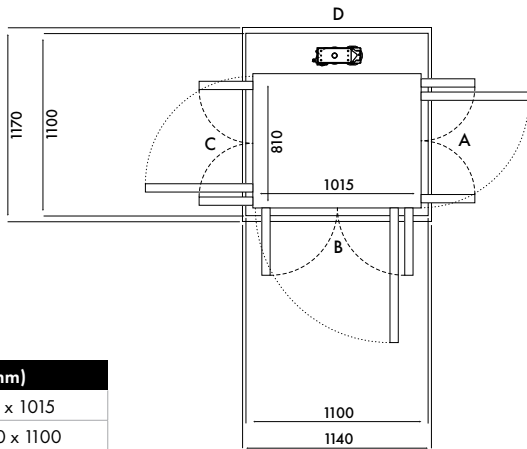
Size 12 (mm)	
Cabin Size	1210 x 915
Finished Size	1500 x 1000

Door Opening	Cut Out Size		Door Opening Width	
	Side A/C	Side B/D	Swing Door	Saloon Door
Side B	1570	1040	754	716
Side A/C	1540	1070	1054	1016



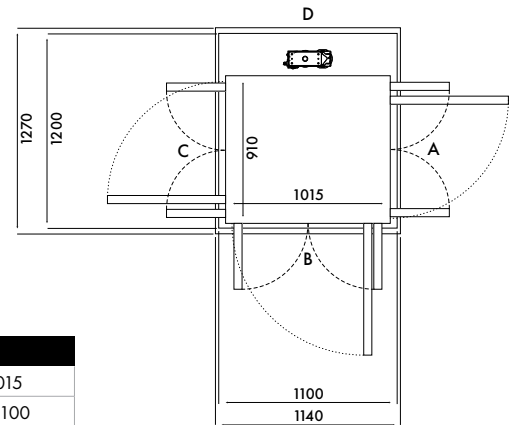
Size 13 (mm)	
Cabin Size	710 x 1015
Finished Size	1000 x 1100

Door Opening	Cut Out Size		Door Opening Width	
	Side A/C	Side B/D	Swing Door	Saloon Door
Side B	1070	1140	854	816
Side A/C	N/A	N/A	N/A	N/A



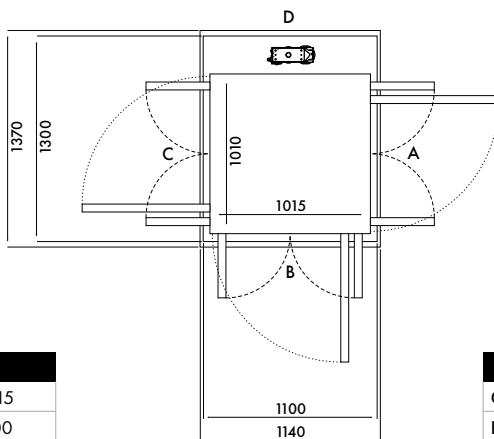
Size 14 (mm)	
Cabin Size	810 x 1015
Finished Size	1100 x 1100

Door Opening	Cut Out Size		Door Opening Width	
	Side A/C	Side B/D	Swing Door	Saloon Door
Side B	1170	1140	854	816
Side A/C	1140	1170	654	616



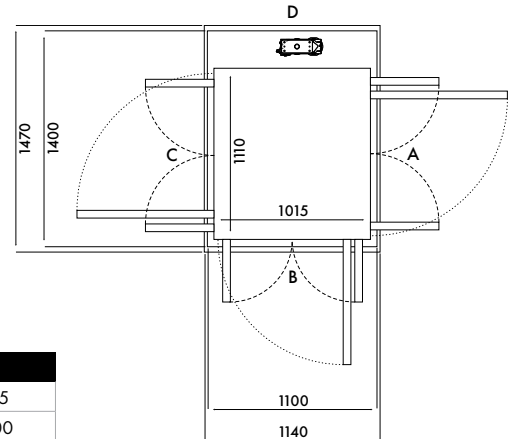
Size 15 (mm)	
Cabin Size	910 x 1015
Finished Size	1200 x 1100

Door Opening	Cut Out Size		Door Opening Width	
	Side A/C	Side B/D	Swing Door	Saloon Door
Side B	1270	1140	854	816
Side A/C	1240	1170	754	716



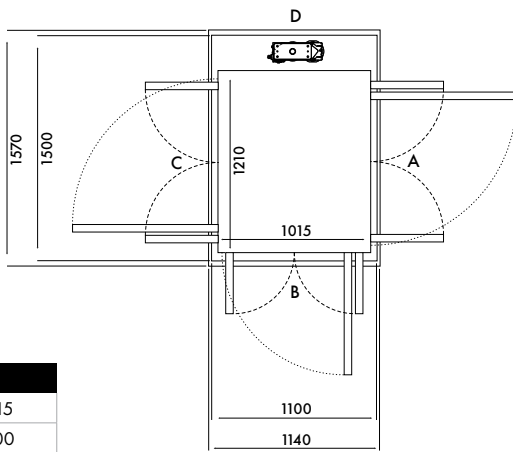
Size 16 (mm)	
Cabin Size	1010 x 1015
Finished Size	1300 x 1100

Door Opening	Cut Out Size		Door Opening Width	
	Side A/C	Side B/D	Swing Door	Saloon Door
Side B	1370	1140	854	816
Side A/C	1340	1170	854	816



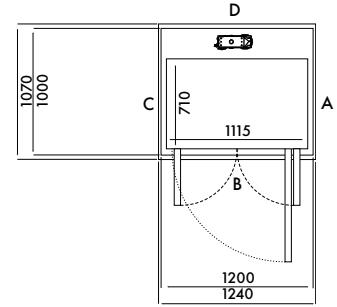
Size 17 (mm)	
Cabin Size	1110 X 1015
Finished Size	1400 X 1100

Door Opening	Cut Out Size		Door Opening Width	
	Side A/C	Side B/D	Swing Door	Saloon Door
Side B	1470	1140	854	816
Side A/C	1440	1170	954	916



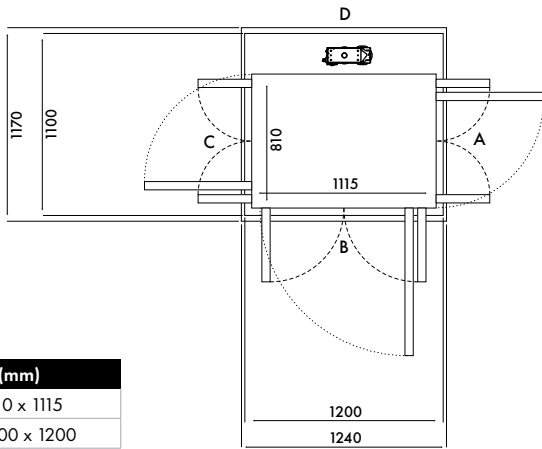
Size 18 (mm)	
Cabin Size	1210 X 1015
Finished Size	1500 X 1100

Door Opening	Cut Out Size		Door Opening Width	
	Side A/C	Side B/D	Swing Door	Saloon Door
Side B	1570	1140	854	816
Side A/C	1540	1170	1054	1016



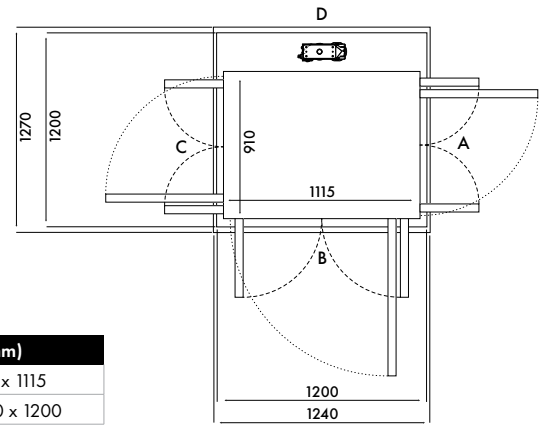
Size 19 (mm)	
Cabin Size	710 x 1115
Finished Size	1000 x 1200

Door Opening	Cut Out Size		Door Opening Width	
	Side A/C	Side B/D	Swing Door	Saloon Door
Side B	1070	1240	854	816
Side A/C	N/A	N/A	N/A	N/A



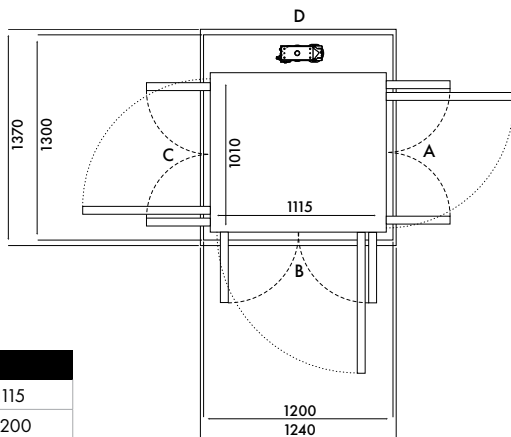
Size 20 (mm)	
Cabin Size	810 x 1115
Finished Size	1100 x 1200

Door Opening	Cut Out Size		Door Opening Width	
	Side A/C	Side B/D	Swing Door	Saloon Door
Side B	1170	1240	854	816
Side A/C	1140	1270	654	616



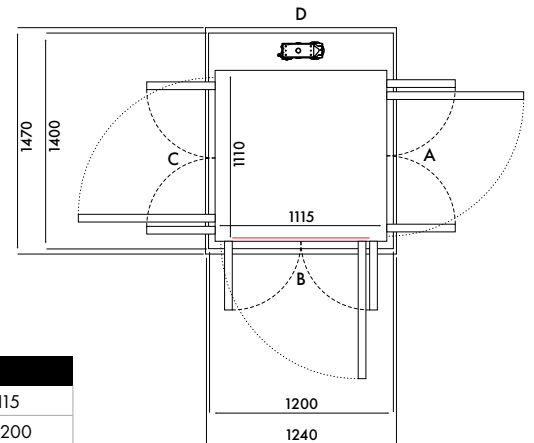
Size 21 (mm)	
Cabin Size	910 x 1115
Finished Size	1200 x 1200

Door Opening	Cut Out Size		Door Opening Width	
	Side A/C	Side B/D	Swing Door	Saloon Door
Side B	1270	1240	854	816
Side A/C	1240	1270	754	716



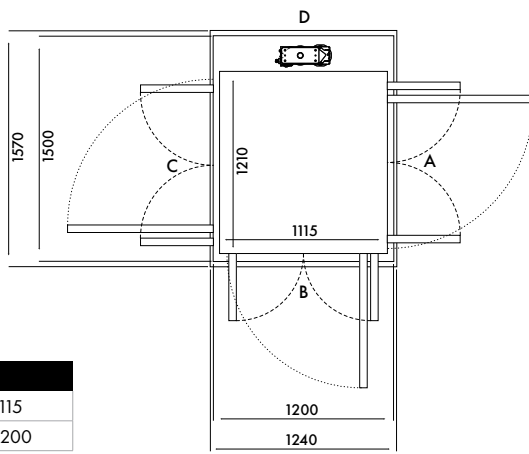
Size 22 (mm)	
Cabin Size	1010 x 1115
Finished Size	1300 x 1200

Door Opening	Cut Out Size		Door Opening Width	
	Side A/C	Side B/D	Swing Door	Saloon Door
Side B	1370	1240	854	816
Side A/C	1340	1270	854	816



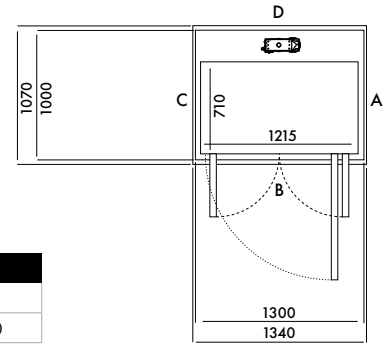
Size 23 (mm)	
Cabin Size	1110 x 1115
Finished Size	1400 x 1200

Door Opening	Cut Out Size		Door Opening Width	
	Side A/C	Side B/D	Swing Door	Saloon Door
Side B	1470	1240	854	816
Side A/C	1440	1270	954	916



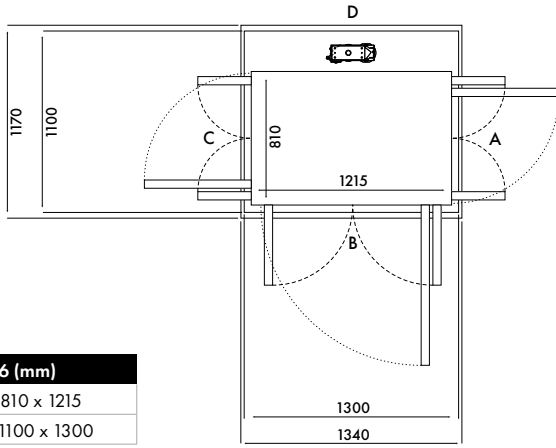
Size 24 (mm)	
Cabin Size	1210 x 1115
Finished Size	1500 x 1200

Door Opening	Cut Out Size		Door Opening Width	
	Side A/C	Side B/D	Swing Door	Saloon Door
Side B	1570	1240	854	816
Side A/C	1540	1270	1054	1016



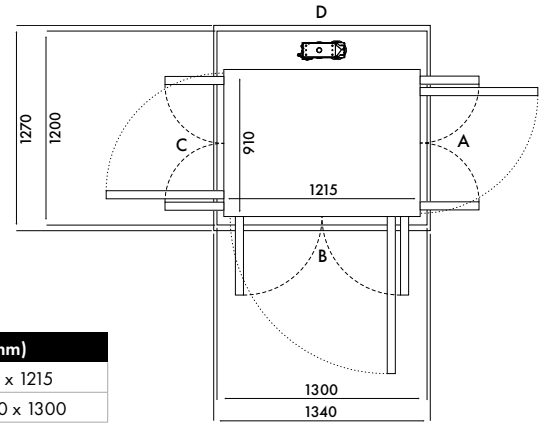
Size 25 (mm)	
Cabin Size	710 x 1215
Finished Size	1000 x 1300

Door Opening	Cut Out Size		Door Opening Width	
	Side A/C	Side B/D	Swing Door	Saloon Door
Side B	1070	1340	854	816
Side A/C	N/A	N/A	N/A	N/A



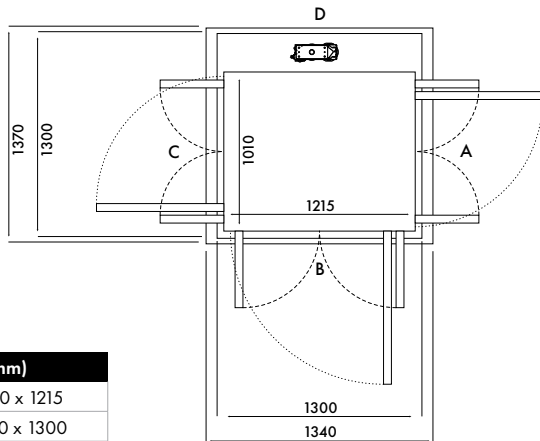
Size 26 (mm)	
Cabin Size	810 x 1215
Finished Size	1100 x 1300

Door Opening	Cut Out Size		Door Opening Width	
	Side A/C	Side B/D	Swing Door	Saloon Door
Side B	1170	1340	854	816
Side A/C	1140	1370	654	616



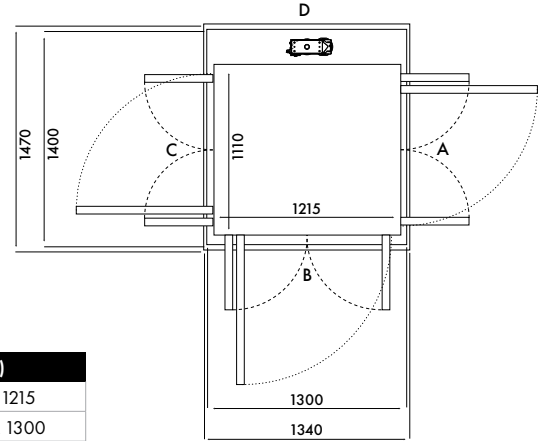
Size 27 (mm)	
Cabin Size	910 x 1215
Finished Size	1200 x 1300

Door Opening	Cut Out Size		Door Opening Width	
	Side A/C	Side B/D	Swing Door	Saloon Door
Side B	1270	1340	854	816
Side A/C	1240	1370	754	716



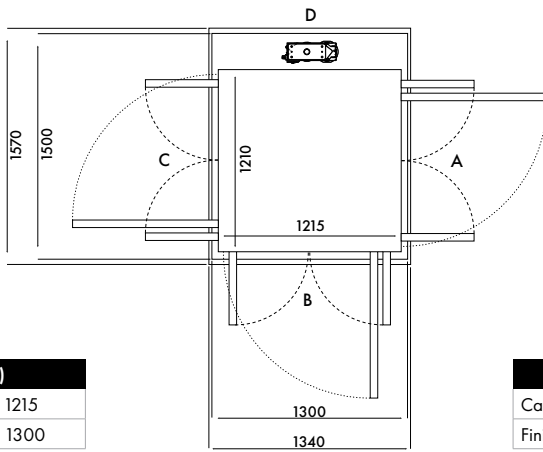
Size 28 (mm)	
Cabin Size	1010 x 1215
Finished Size	1300 x 1300

Door Opening	Cut Out Size		Door Opening Width	
	Side A/C	Side B/D	Swing Door	Saloon Door
Side B	1370	1340	854	816
Side A/C	1340	1370	854	816



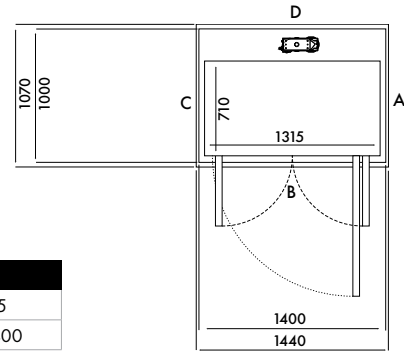
Size 29 (mm)	
Cabin Size	1110 x 1215
Finished Size	1400 x 1300

Door Opening	Cut Out Size		Door Opening Width	
	Side A/C	Side B/D	Swing Door	Saloon Door
Side B	1470	1340	854	816
Side A/C	1440	1370	954	916



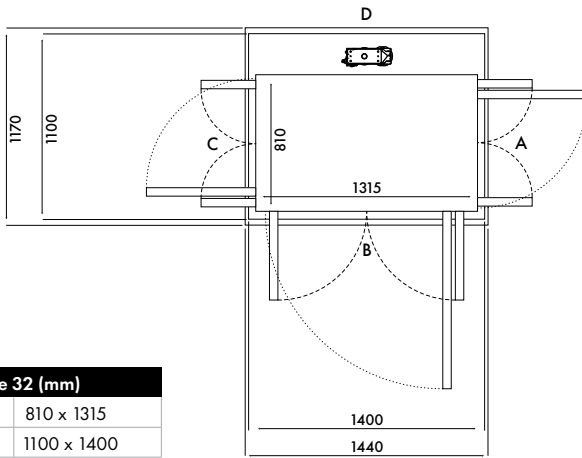
Size 30 (mm)	
Cabin Size	1210 x 1215
Finished Size	1500 x 1300

Size 31 (mm)	
Cabin Size	710 x 1315
Finished Size	1000 x 1400



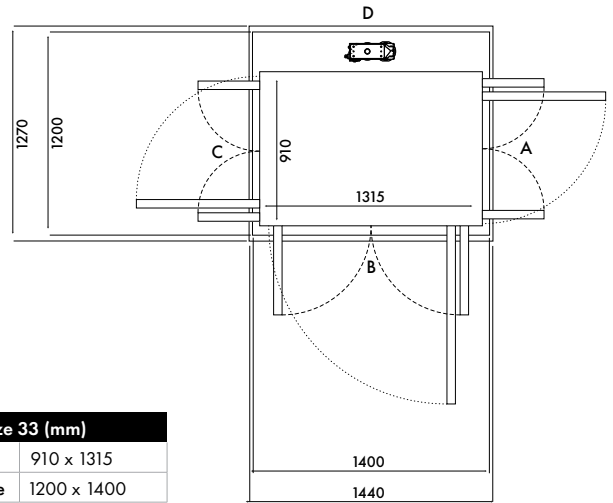
Door Opening	Cut Out Size		Door Opening Width	
	Side A/C	Side B/D	Swing Door	Saloon Door
Side B	1570	1340	854	816
Side A/C	1540	1370	1054	1016

Door Opening	Cut Out Size		Door Opening Width	
	Side A/C	Side B/D	Swing Door	Saloon Door
Side B	1070	1440	954	916
Side A/C	N/A	N/A	N/A	N/A



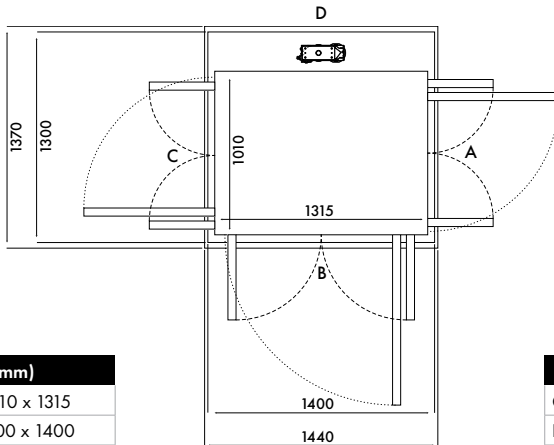
Size 32 (mm)	
Cabin Size	810 x 1315
Finished Size	1100 x 1400

Size 33 (mm)	
Cabin Size	910 x 1315
Finished Size	1200 x 1400



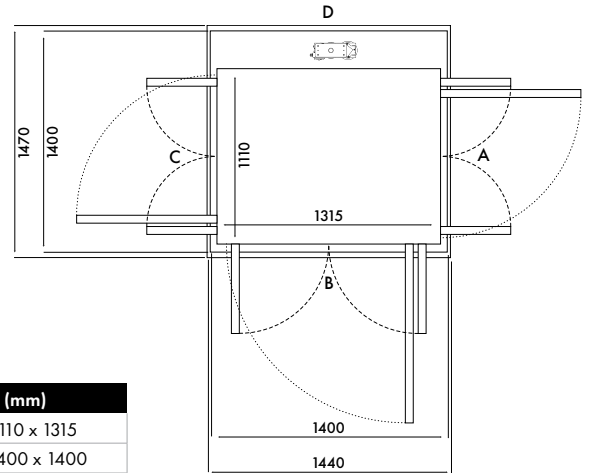
Door Opening	Cut Out Size		Door Opening Width	
	Side A/C	Side B/D	Swing Door	Saloon Door
Side B	1170	1440	954	916
Side A/C	1140	1470	654	616

Door Opening	Cut Out Size		Door Opening Width	
	Side A/C	Side B/D	Swing Door	Saloon Door
Side B	1270	1440	954	916
Side A/C	1240	1470	754	716



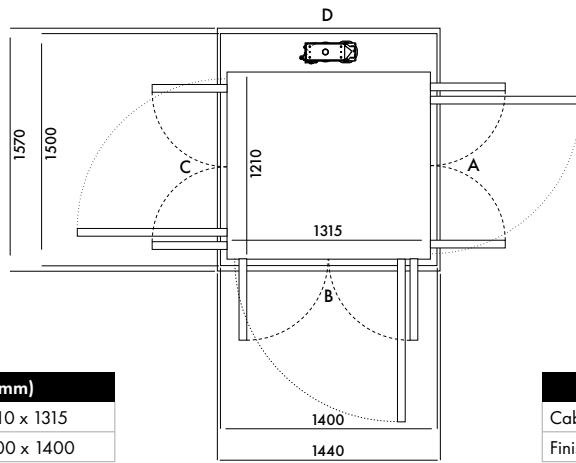
Size 34 (mm)	
Cabin Size	1010 x 1315
Finished Size	1300 x 1400

Size 35 (mm)	
Cabin Size	1110 x 1315
Finished Size	1400 x 1400



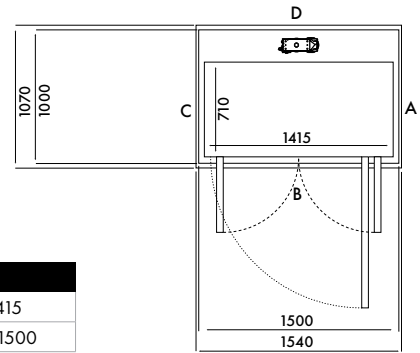
Door Opening	Cut Out Size		Door Opening Width	
	Side A/C	Side B/D	Swing Door	Saloon Door
Side B	1370	1440	954	916
Side A/C	1340	1470	854	816

Door Opening	Cut Out Size		Door Opening Width	
	Side A/C	Side B/D	Swing Door	Saloon Door
Side B	1470	1440	954	916
Side A/C	1440	1470	954	916



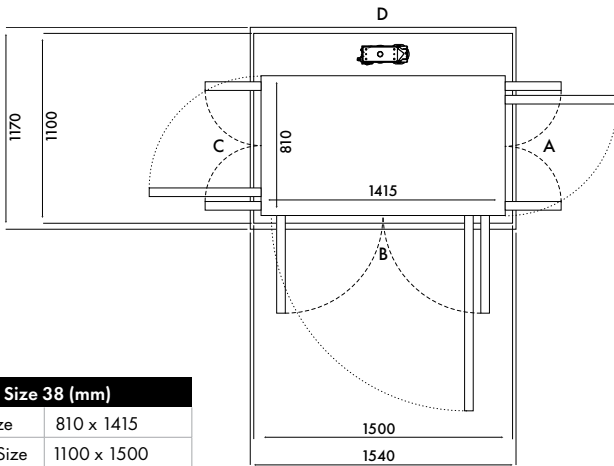
Size 36 (mm)	
Cabin Size	1210 x 1315
Finished Size	1500 x 1400

Door Opening	Cut Out Size		Door Opening Width	
	Side A/C	Side B/D	Swing Door	Saloon Door
Side B	1570	1440	954	916
Side A/C	1540	1470	1054	1016



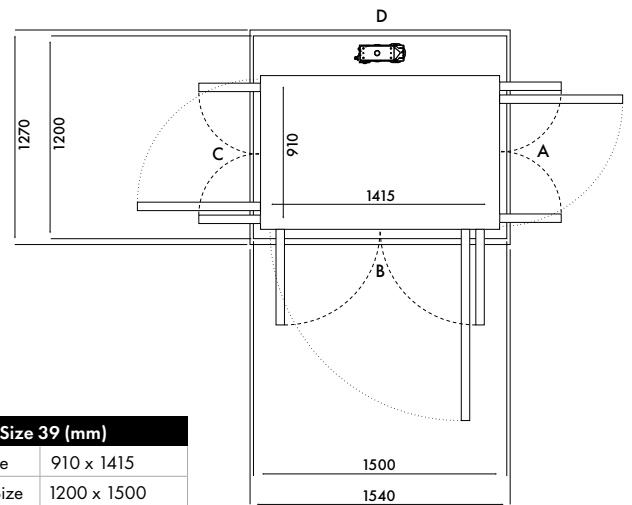
Size 37 (mm)	
Cabin Size	710 x 1415
Finished Size	1000 x 1500

Door Opening	Cut Out Size		Door Opening Width	
	Side A/C	Side B/D	Swing Door	Saloon Door
Side B	1070	1540	1054	1016
Side A/C	N/A	N/A	N/A	N/A



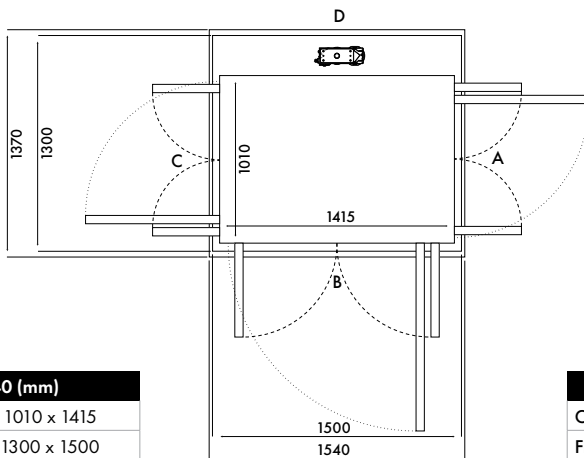
Size 38 (mm)	
Cabin Size	810 x 1415
Finished Size	1100 x 1500

Door Opening	Cut Out Size		Door Opening Width	
	Side A/C	Side B/D	Swing Door	Saloon Door
Side B	1170	1540	1054	1016
Side A/C	1140	1570	654	616



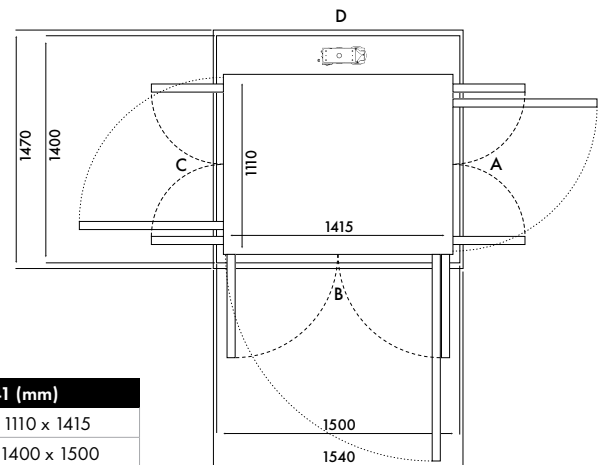
Size 39 (mm)	
Cabin Size	910 x 1415
Finished Size	1200 x 1500

Door Opening	Cut Out Size		Door Opening Width	
	Side A/C	Side B/D	Swing Door	Saloon Door
Side B	1270	1540	1054	1016
Side A/C	1240	1570	754	716



Size 40 (mm)	
Cabin Size	1010 x 1415
Finished Size	1300 x 1500

Door Opening	Cut Out Size		Door Opening Width	
	Side A/C	Side B/D	Swing Door	Saloon Door
Side B	1370	1540	1054	1016
Side A/C	1340	1570	854	816



Size 41 (mm)	
Cabin Size	1110 x 1415
Finished Size	1400 x 1500

Door Opening	Cut Out Size		Door Opening Width	
	Side A/C	Side B/D	Swing Door	Saloon Door
Side B	1470	1540	1054	1016
Side A/C	1440	1570	954	916



Cibēs

Photos and product information are for reference only. Details please visit CIBES or call 400 9999 076

www.cibes.cn